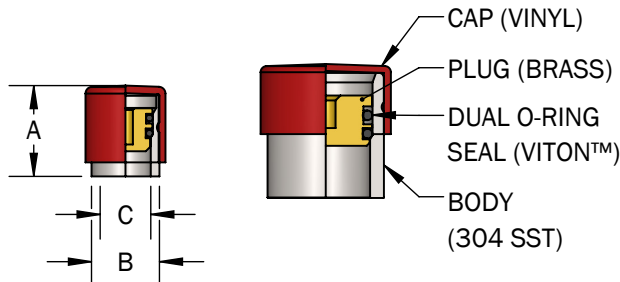




# Vacuum Seal-Off Valve and Operator

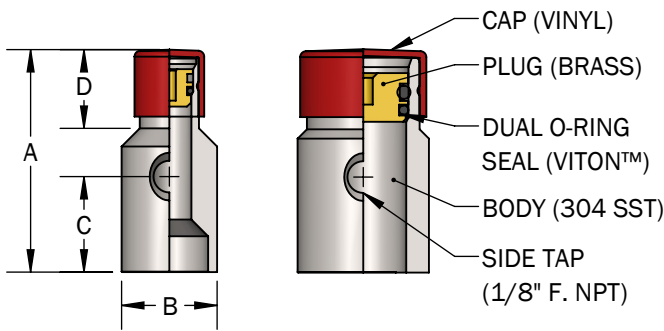
## Vacuum Seal-Off Valve Assembly



Assembly Part Numbers and Dimensions				
P/N	Size	A	B	C
CA03281	1/2"	1 <sup>3</sup> / <sub>16</sub> "	5/8"	7/16"
CA03282	1"	1 <sup>3</sup> / <sub>8</sub> "	1 <sup>3</sup> / <sub>16</sub> "	7/8"

**Assembly Includes:** (1) Body, (1) Plug, (2) O-Rings, and (1) Cap. \*\*SST Plugs Available Upon Request.

## Vacuum Seal-Off Valve Assembly with Side Tap

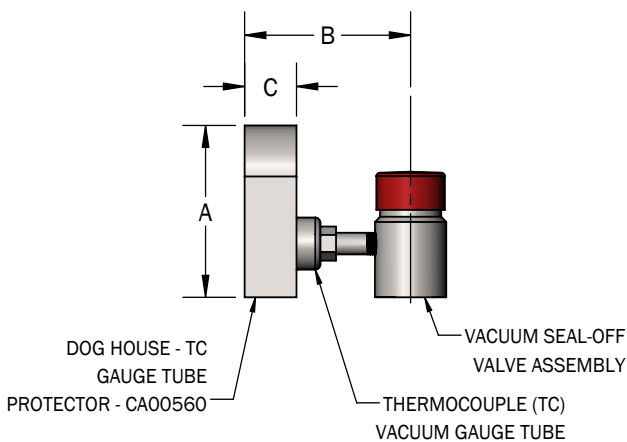


Assembly Part Numbers and Dimensions					
P/N	Size	A	B	C	D
CA03283	1/2"	2 <sup>9</sup> / <sub>16</sub> "	1"	1 <sup>1</sup> / <sub>4</sub> "	1 <sup>3</sup> / <sub>16</sub> "
CA03284	1"	2 <sup>9</sup> / <sub>16</sub> "	1 <sup>3</sup> / <sub>8</sub> "	1 <sup>1</sup> / <sub>4</sub> "	1 <sup>3</sup> / <sub>16</sub> "

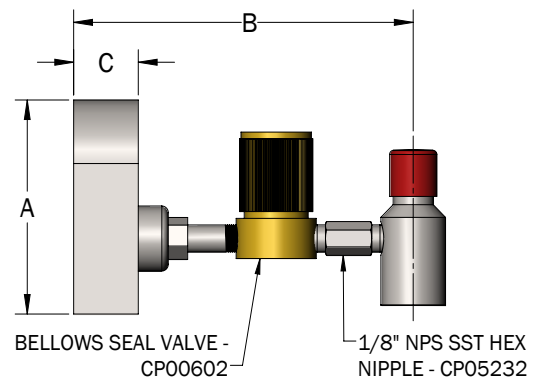
**Assembly Includes:** (1) Body w/Side Tap, (1) Plug, (2) O-Rings, and (1) Cap. \*\*SST Plugs Available Upon Request.

**Note:** Side Tap intended for use with vacuum gauge or other accessories. Accessories not included.

## Vacuum Seal-Off Valve Assembly Dimensions with Standard Accessories

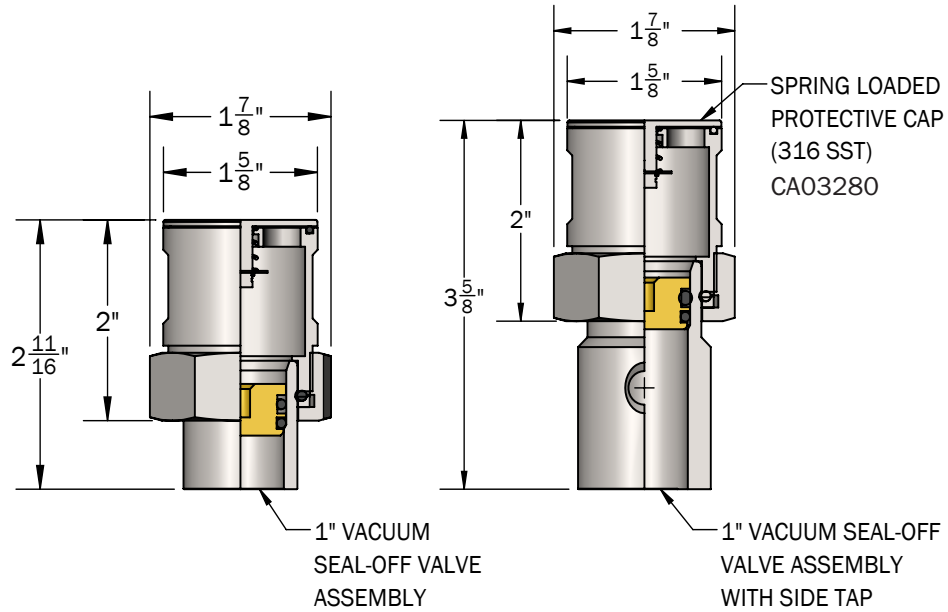


Vacuum Seal-Off Valve with TC Gauge			
Size	A	B	C
1/2"	3 <sup>3</sup> / <sub>16</sub> "	3"	1"
1"	3 <sup>3</sup> / <sub>16</sub> "	3 <sup>3</sup> / <sub>16</sub> "	1"

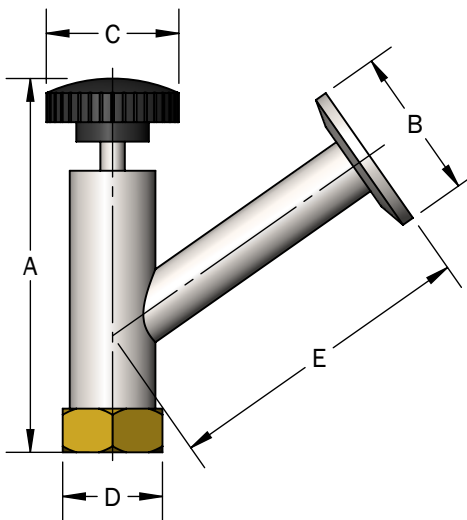


Vacuum Seal-Off Valve with TC Gauge & HOKE <sup>®</sup>			
Size	A	B	C
1/2"	3 <sup>3</sup> / <sub>16</sub> "	5 <sup>1</sup> / <sub>4</sub> "	1"
1"	3 <sup>3</sup> / <sub>16</sub> "	5 <sup>7</sup> / <sub>16</sub> "	1"

## Vacuum Seal-Off Valve with Spring Cap



## Vacuum Seal-Off Operator with KF-25 Outlet



Valve Seal-Off Operator with KF-25 Outlet						
P/N	Size	A*	B	C	D**	E
CP00252	1/2"	3 7/16"	1 9/16"	1 3/8"	1 3/16"	3 1/4"
CP00288	1"	4 7/8"	1 9/16"	1 3/8"	1 3/4"	4 1/4"

\*The value of dimension A is based on a closed valve operator.  
 \*\*Dimension D is the Hex.