

F-Series Cryogenic Bayonet

The F-Series bayonet connections are high efficiency cryogenic connections designed for vacuum insulated piping systems. They utilize a close tolerance fit between the length of the mating male and female connections. CryoWorks has developed a proprietary heat/cryo treat process that provides long-term dimensional stability and allows for a closer tolerance fit that provides best in class thermal performance. These bayonets incorporate a standard ASME rated back up flange and gasket to provide the most reliable pressure boundary seal.

Bayonet Features:

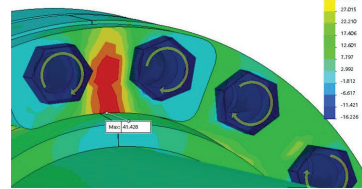
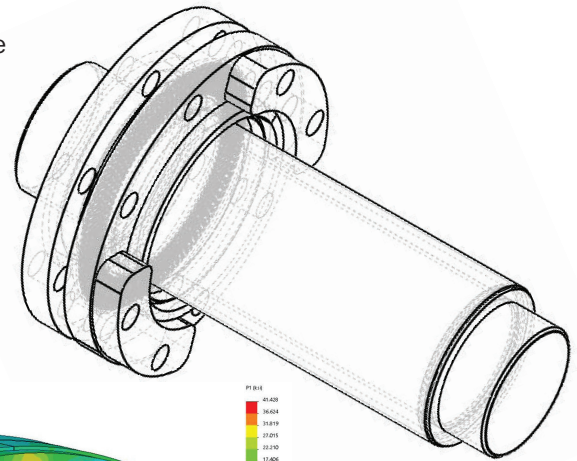
- Designed for use in all positions vertical and horizontal.
- Fast and easy installation that does not require any field welding. Allows for easy assembly and disassembly.
- MAWP: 275 PSIG (Meets ASME Class 150 flange ratings).
- Minimum Operating Temperature: -452°F (-269°C).
- Standard Material: 316/L Stainless Steel.
- All internal components leak tested to 1×10^{-9} cc/sec.
- Utilize any standard ASME flange gasket to meet your system requirements (PTFE Sheet, Spiral Wound, Graphite, etc.).
- Concentric Flange Serrations.

Benefits:

- Standard and common flange and gasket assembly.
 - Standard Torque Values.
 - No Specific Installer Training.
 - Utilizes industry standard reliable sealing technology.
- Use of standard spiral wound gasket eliminates the risks associated with o-ring seals normally used in this application.

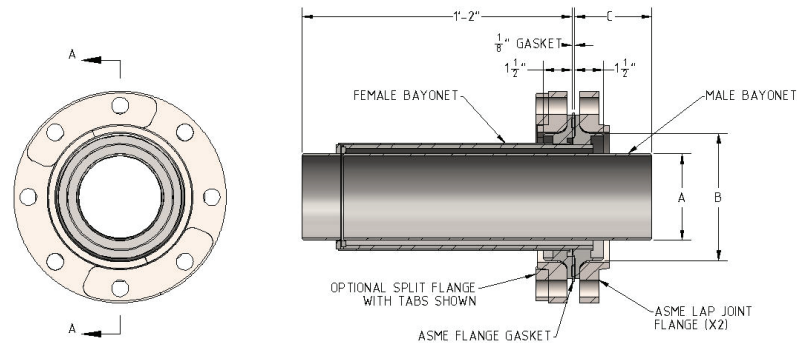
Related Options:

- Split Back Up Flanges.
- Graphite Gaskets for Flammable or Oxidizing Services.
- Oxygen Cleaning.
- Material Traceability Reports.
- Domestic or DFAR material compliance.
- Custom sizes or designs.



4" Bayonet Set Shown with split flange on one side

Bayonet Standard Dimensions:



Bayonet Size	Part Number	Dim A	Dim B	Dim C
1/2" x 2"	CA02380	1/2" NPS (0.84" OD)	2" NPS (2.38" OD)	2 1/2"
1" x 2"	CA02400	1" NPS (1.32" OD)		3 1/2"
2" x 4"	CA02420	2" NPS (2.38" OD)	3" NPS (3.50" OD)	4"
3" x 5"	CA02430	3" NPS (3.50" OD)	4" NPS (4.50" OD)	
4" x 6"	CA02440	4" NPS (4.50" OD)	6" NPS (6.63" OD)	5"
6" x 8"	CA02450	6" NPS (6.63" OD)	8" NPS (8.63" OD)	
8" x 10"	CA02460	8" NPS (8.63" OD)	10" NPS (10.75" OD)	6"

***Bolt Kits and Gaskets sold separately to meet fluid service requirements**